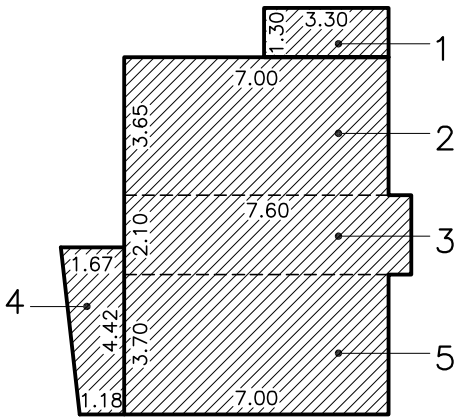
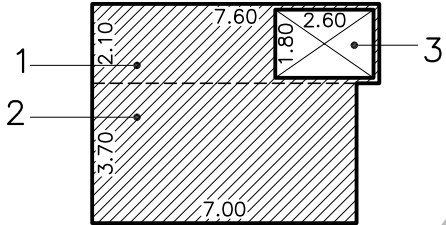
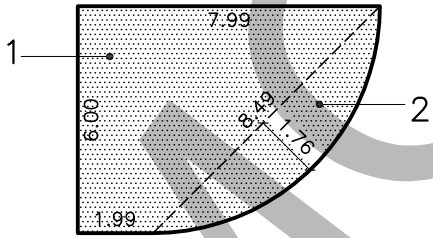
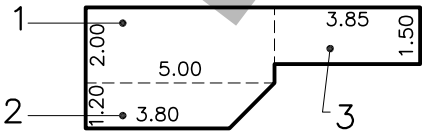


ANEXO XVIII - Modelo de Memória de Cálculo

Memória de Cálculo	
	<b>Pavimento Térreo – 77,9985 m<sup>2</sup></b>
	1 $3,30 \times 1,30 = 4,29 \text{ m}^2$
	2 $7,00 \times 3,65 = 25,55 \text{ m}^2$
	3 $7,60 \times 2,10 = 15,96 \text{ m}^2$
	4 $(1,67+1,18) \times 4,42 / 2 = 6,2985 \text{ m}^2$
	5 $7,00 \times 3,70 = 25,90 \text{ m}^2$
	<b>Pavimento Superior – 37,20 m<sup>2</sup></b>
	1 $7,60 \times 2,10 = 15,96 \text{ m}^2$
	2 $7,00 \times 3,70 = 25,90 \text{ m}^2$
	3 $(-) 2,60 \times 1,80 = - 4,68 \text{ m}^2$
	<b>Área Permeável – 40,22 m<sup>2</sup></b>
	1 $(7,99+1,99) \times 6,00 / 2 = 29,94 \text{ m}^2$
	2 $[(3 \times 1,76^2) + (4 \times 8,49^2)] \times 1,76 / (6 \times 8,49) = 10,28 \text{ m}^2$
	<b>Piscina – 21,055 m<sup>2</sup></b>
	1 $5,00 \times 2,00 = 10,00 \text{ m}^2$
	2 $(5,00+3,80) \times 1,20 / 2 = 5,28 \text{ m}^2$
	3 $3,85 \times 1,50 = 5,775 \text{ m}^2$